

# CLEAN ROOM EQUIPMENT - AIR SHOWER -

By Clean room Turnkey Specialist  
Skill Development Co., Ltd.

## CONTACT US: SALES DEPARTMENT

Skill Development Co., Ltd.

109 Moo7 Kingkaew-Bangplee Rd., Bangpleeyai,  
Bangplee, Samutprakarn, 10540

T: +66 2 751 1256 - 8 Ext. 25

F: +66 2 337 3364

E-mail: [monsicha.sale@skill1999.com](mailto:monsicha.sale@skill1999.com)



# AIR SHOWER

## Product Description

Air Shower allows people and objects to enter a controlled area without bringing in contaminants and dust particle. The nozzles will start to blow clean air through HEPA Filter as soon as users close the interlocking door. HEPA filter will remove 99.99% of particles on 0.3 micron.

Interlocking system prevent cross contamination between clean area and normal area. However, the doors automatically release if power outages.

Air velocity is approximately 20-25m/sec which is enough to remove personal contamination. In order to ensure effective distribution of clean air, nozzles are organized in pattern.



# WHY US?

## 1) Flexible & Customizable

We can customize Air Shower to meet customers' demand. We offer wide range of flexible features for customer to choose.

## 2) High Quality & Reliable

We have been trusted by many well-known clients that we offer high quality product at a reasonable price.

## 3) Good Service

We offer one year warranty and maintenance services by specialists.

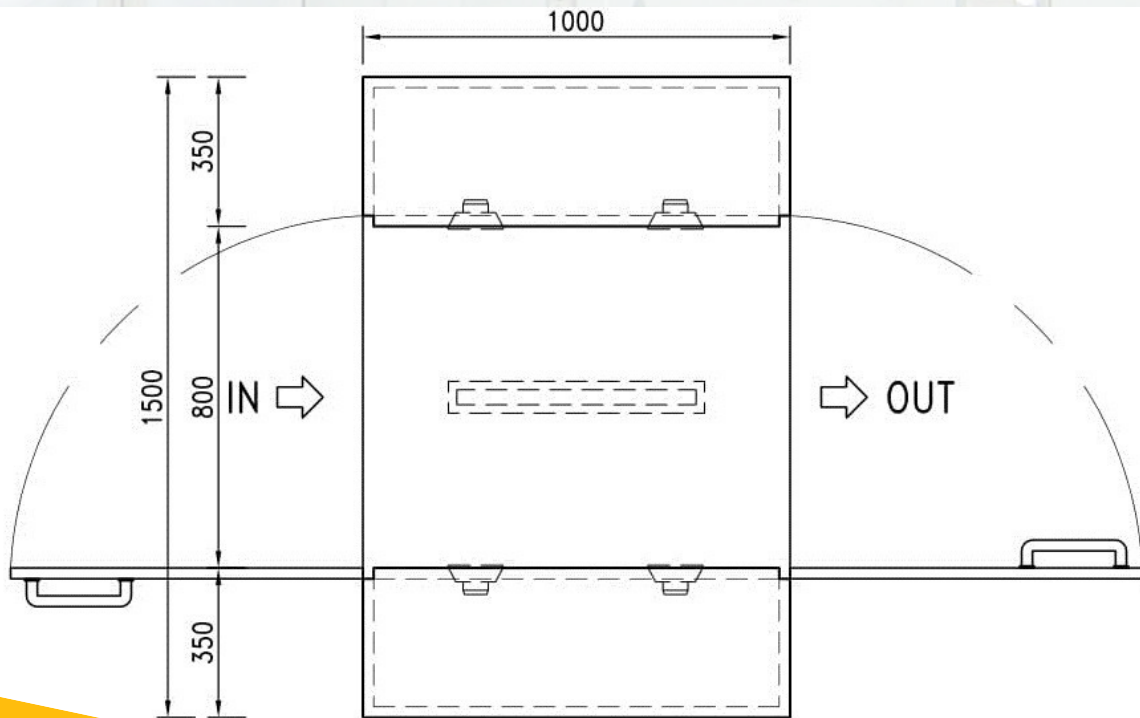
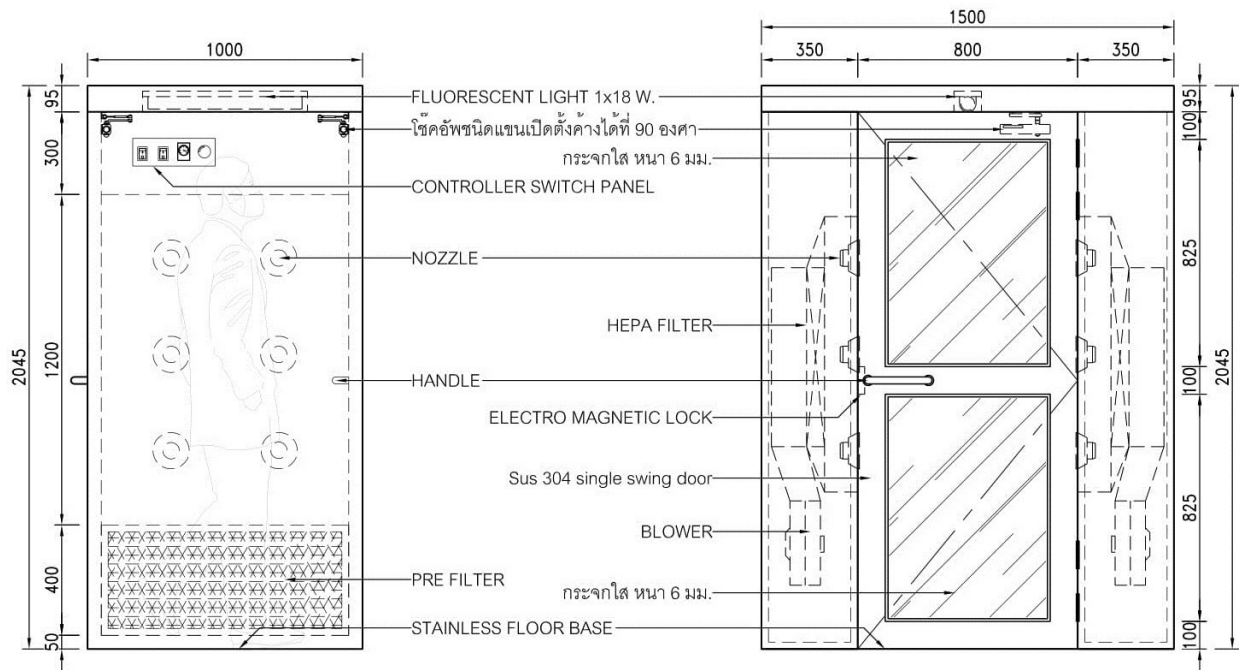


# SPECIFICATION

Model	AS-1300-N	AS-1500-N	AS -2300-N
Material	Electro Galvanized Metal Sheet with Powder Coating / Stainless Steel		
Colour	Standard White		
Exterior Size W x L x H (mm.)	1300 x 1000 x 2100	1500 x 1000 x 2100	2300 x 1000 x 2100
Interior Size W x L x H (mm.)	800 x 920 x 1960	800 x 920 x 1960	1600 x 920 x 1960
Number of Nozzles	6 PCS	12 PCS	12 PCS
Air Velocity	20-25 M/S		
HEPA Filter Size	610 x 610 x 75	610 x 610 x 75	610 x 610 x 75
QTY	1 PC	2 PCS	2 PCS
Efficiency	99.99% on 0.3 Micron		
Pre Filter	Washable Non Woven Polyester		
Type of Air Flow	Single Blow	Double Blow	Double Blow
Door Material	Aluminium / Stainless Steel		
Door Type	Single Swing Door, Half window		Double Swing door, Half Windows
Door Size W x H (mm.)	755 x 1948	755 x 1948	1510 x 1948
Hinge Material	Stainless Steel		
Handle	Stainless Steel		
Lock	Electro Magnetic		
Blower	Centrifugal Blow		
QTY	1 PC	2 PCS	2 PCS
Electrical Power	AC 220 V, 60 Hz		
Lighting Fluorescent	18 W		
Fan Capacity	700 CMH / Unit		
Control Panel	Programmable Logic Controller (PLC)		



# EQUIPMENT DRAWING



## Air Shower with Auto Slide Door



## Air Shower with Auto Swing Door



## Air Shower with Stainless Steel Body



## Adjustable Nozzles





# Synthetic Filter Washable - Type EU4

---



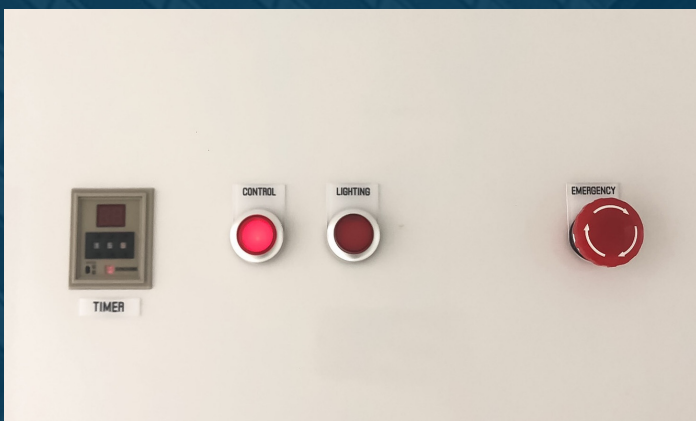
# Lighting - LED Panel

---



# Controller / Switch Panel

---





**CONTACT US:  
SALES DEPARTMENT**

Skill Development Co., Ltd.

109 Moo7 Kingkaew-Bangplee Rd., Bangpleeyai,  
Bangplee, Samutprakarn, 10540

T: +66 2 751 1256 - 8 Ext. 25

F: +66 2 337 3364

E-mail: [monsicha.sale@skill1999.com](mailto:monsicha.sale@skill1999.com)

Line: @skill1999

For website please visit  
[www.skill1999.com](http://www.skill1999.com)  
or scan QR code

